

BALDOR® • RELIANCE 

Product Information Packet

XEFRPM32404

40HP,1800,460V,HL324T,TEFC,F1

Part Detail							
Revision:	E	Status:	PRD/A	Change #:		Proprietary:	No
Type:	AC	Elec. Spec:	LS7020A	CD Diagram:	422927-001	Mfg Plant:	
Mech. Spec:		Layout:	619698-001	Poles:	04	Created Date:	05-10-2016
Base:		Eff. Date:	04-23-2019	Leads:			

Specs			
Catalog Number:	XEFRPM32404		
Enclosure:	TEFC		
Frame:	HL324T		
Frame Material:	Exposed Laminations		
Output @ Frequency:	40.000 HP @ 60 HZ		
Synchronous Speed @ Frequency:	1800 RPM @ 60 HZ		
Voltage @ Frequency:	460.0 V @ 60 HZ		
Agency Approvals:	CCSA US		
Auxillary Box:	No Auxillary Box		
Base Indicator:	Rigid		
Bearing Grease Type:	Polyrex EM (-20F +300F)		
Constant Torque Speed Range:	1-60		
Current @ Voltage:	40.000 A @ 460.0 V		
Duty Rating:	CONT		
Feedback Device:	NO FEEDBACK		
Frame Prefix:	HL		
Heater Indicator:	No Heater		
Insulation Class:	H		

IP Rating:	IP54		
KVA Code:	G		
Mounting Arrangement:	F1		
Product Family:	Fan		
Pulley End Bearing Type:	Ball		
Pulley Face Code:	Other		
Shaft Ground Indicator:	No Shaft Grounding		
Shaft Rotation:	Reversible		
Motor Standards:	NEMA		
Thermal Device - Bearing:	None		
Thermal Device - Winding:	None		

Nameplate 000613007QF												
	DUTY	HP	RPM	AMPS	VOLTS	HZ						
	CONT	40	1800	40	460	60						
CAT.NO.	XEFRPM32404		SPEC. NO.		H32-A000-0002							
SER.NO.			FRAME SIZE		HL324T		TYPE PSM					
AMB.	40	S.F.	1.15	ENCL.	TEFC	PH	3	DESIGN	B	CODE	G	
NEMA NOM. EFF	96.4		GUARANTEED EFFICIENCY		95.6		POWER FACTOR		93.3		INSUL. CLASS	H
D.E. BRG.	65BC03J30X		O.D.E. BRG.		50BC03J30X							
VPWM INVERTER DUTY @1.0SF	CHP HZ	60-90		CT HZ	1-60		VT HZ	0-60				
	X/T											

Nameplate 000692000VY		
IS	<input type="text"/>	MEAS OPEN CIRCUIT VOLTAGE
		VOLTS AT <input type="text"/>
		RPM.
EXCEED	L.R. <input type="text"/>	MTR PH CURRENT SHOULD NOT
		AMPS RMS PEAK TO
	AVOID DEMAGNETIZATION	

Parts List		
Part Number	Description	Quantity
WS311996	WS H32-A000-0002	1.000 EA
RA308221	RA H32-A000-0002	1.000 EA
000692000FP	NP, WARNING LIFT INSTRUCTIONS	1.000 EA
000692000VD	LABEL WARNING	1.000 EA
418057747A	METAL FASTENER	8.000 EA
000613007QF	NP,RPM AC - XE WITH CERTIFIED LOGO	1.000 EA
000613006ABP	RPM-XE,EXTREME EFFICIENCY,UL LISTED	1.000 EA
000692000VY	PERMANENT MAGNET MOTOR NAMEPLATE	1.000 EA
422927001	C/D LABEL	1.000 EA
004824007AB	PAINT,XT	0.100 EA
810103004AAC	BRKT,ODE,LSPM250 (FL250)	1.000 EA
810103003AAA	BRKT,DE,LSPM250 (FL250)	1.000 EA
HA4054	SHORT T-DRAIN FITTING, .125" N.P.T.	1.000 EA
HA4054	SHORT T-DRAIN FITTING, .125" N.P.T.	1.000 EA
004824015A	GREASE POLYREX EM	0.200 LB
415045002G	SLGR	1.000 EA
415045002E	SLGR	1.000 EA
400638001H	SPRING WASHER (Customer number 43699)	1.000 EA
036610010AB	MHSLW M10 PLATED	4.000 EA
418150003A	GREASE FITTING CAP	2.000 EA
035000001A	ALFTG 1/8" 1610-BL	1.000 EA
035000001A	ALFTG 1/8" 1610-BL	1.000 EA
036100080KA	M10-1.50X 80MM HXSOCHDCS	3.000 EA
036100080KA	M10-1.50X 80MM HXSOCHDCS	3.000 EA

Parts List (continued)		
Part Number	Description	Quantity
036140001C	EYEBOLT - 400	2.000 EA
034693001AB	PPLG - G508- use 034692001AB	1.000 EA
034693001AB	PPLG - G508- use 034692001AB	1.000 EA
036500010AB	METRIC NUT M10-1.5PLTD400	4.000 EA
036500010AB	METRIC NUT M10-1.5PLTD400	4.000 EA
609830005AN	TBOLT PURGE MTR	4.000 EA
415000103A	T/LUG #14AWG-#4AWG W/HOLE FOR .250 BOLT	1.000 EA
415072001B	CLAMP	1.000 EA
417733004T	GASKET CONDUIT BOX	2.000 EA
034180012FA	KEY 3/8X3/8X1-1/2 L - 360	1.000 EA
078547001T	FAN 078547001P	1.000 EA
708534505A	BLOWER SHROUD,HL320	1.000 EA
036000012HB	HHCS M6X12MM LONG PLATED	4.000 EA
418018074A	GROUND LABEL G100 METRIC 160 D.C.	1.000 EA
406673002AE	2" CAP PLUG	1.000 EA
036620008AB	M6 METRIC EXT LOCKWASHER	1.000 EA
418010012J	CONDUIT BOX SPACER	1.000 EA
036601008AB	M6 FLAT WASHER	4.000 EA
075460062B	+C/B - 280	1.000 EA
075461011A	+CBOX CVR BLKT - 280	1.000 EA
065591000C	GASK 250-280	1.000 EA
032018008AK	HHCS 1/4-20X1 PLATED	2.000 EA
036000050HB	MHHCS M6X50MM PLATED	4.000 EA
034180032GA	KEY 1/2X1/2X4 L	1.000 EA

004824007K	SPECIAL PAINT	0.100 EA
------------	---------------	----------

S. O.	FRAME	HP	TYPE	PHASE	HERTZ	RPM
--	HL324T	40	PSM	3	60	1800
VOLTS	AMPS	DUTY	AMB°C	INSUL	S. F.	NEMA DESIGN
460	41.8	CONT	40	H	1.15	B
CODE LETTER	ENCL	ROTOR INERTIA (lb-ft ²)		STATOR RES. @ 25°C OHMS (BETWEEN LINES)		
G	TEFC	2.96		.2444		TYPICAL DATA

PERFORMANCE


LOAD	HP	AMPERES	RPM	POWER FACTOR %	EFFICIENCY %
NO LOAD	0	20.4	1800	3.70	N/A
1/4	10.0	17.7	1800	57.3	92.8
2/4	20.0	23.3	1800	84.1	95.5
3/4	30.0	32.0	1800	91.4	96.0
4/4	40.0	41.8	1800	93.3	95.9
5/4	50.0	52.5	1800	93.2	95.5

SPEED TORQUE

	RPM	TORQUE (% FULL LOAD)	TORQUE (lb-ft)	AMPERES
LOCKED ROTOR	0	159	185.4	283.6
PULL OUT	1800	217	254.0	130.4
FULL LOAD	1800	100	116.8	41.8

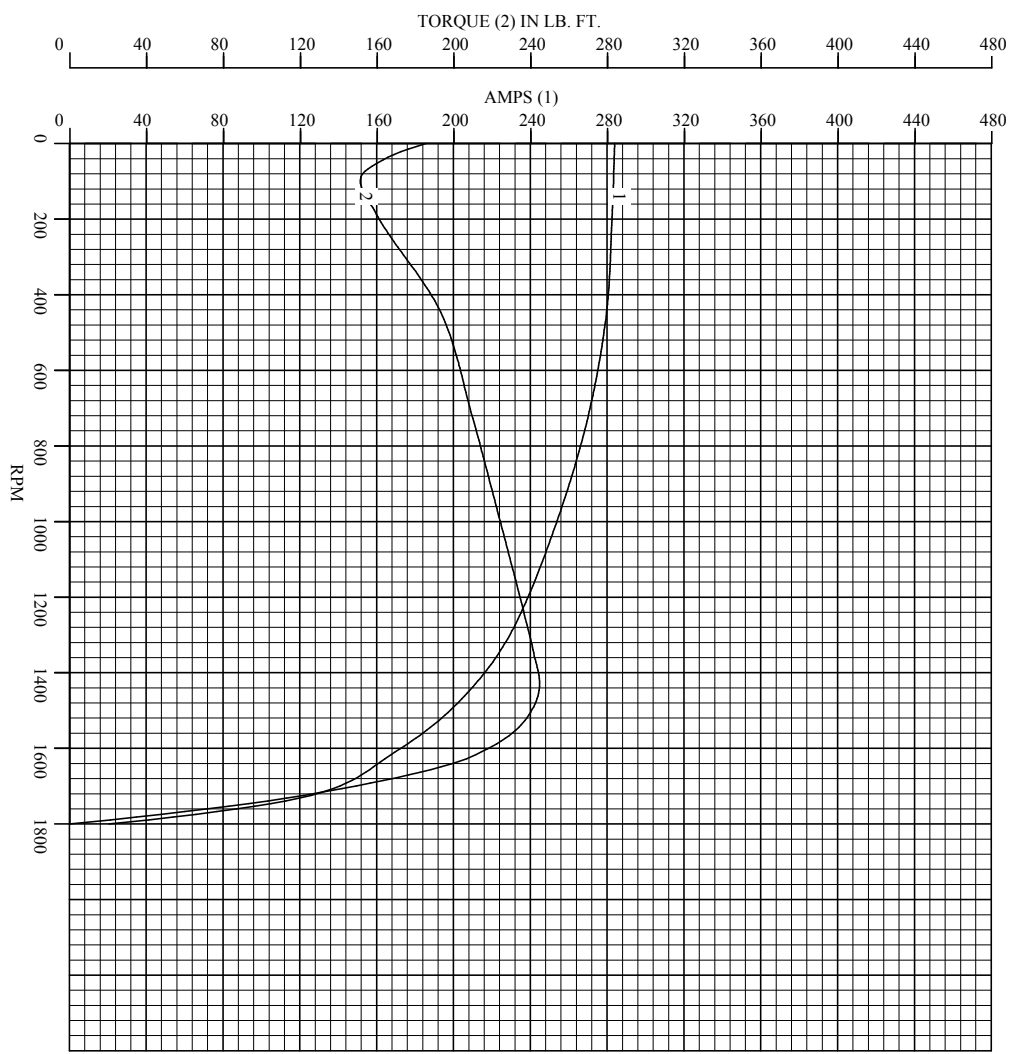
THIS IS A PERMANENT MAGNET MOTOR
 GENERATED OPEN CIRCUIT LINE-LINE VOLTAGE at 25°C = 18.5 VOLTS PER 100 RPM

REMARKS:

 A MEMBER OF THE ABB GROUP	DR. BY CAD	LSPM MOTOR
	CK. BY SEM APP. BY SEM DATE 05/25/2016	PERFORMANCE DATA ISSUE DATE 05/25/2016

S. O.	--	HERTZ	60	AMB°C	40	CODE LETTER	G
FRAME	HL324T	RPM	1800	INSUL.	H	WK ² (lb-ft ²)	2.96
HP	40	VOLTS	460	S.F.	1.15	NEMA DESIGN	B
TYPE	PSM	AMPS	41.8	ENCL.	TEFC	STATOR RES. @ 25°C	.2444
PHASE	3	DUTY	CONT			OHMS (BETWEEN LINES)	

**Amps & Torque vs. RPM
During Acceleration**



Typical Data

BALDOR
A MEMBER OF THE ABB GROUP

DR. BY	CAD
CR. BY	RHM
APP. BY	RHM
DATE	05/25/2016

ISPM MOTOR
PERFORMANCE
CURVES

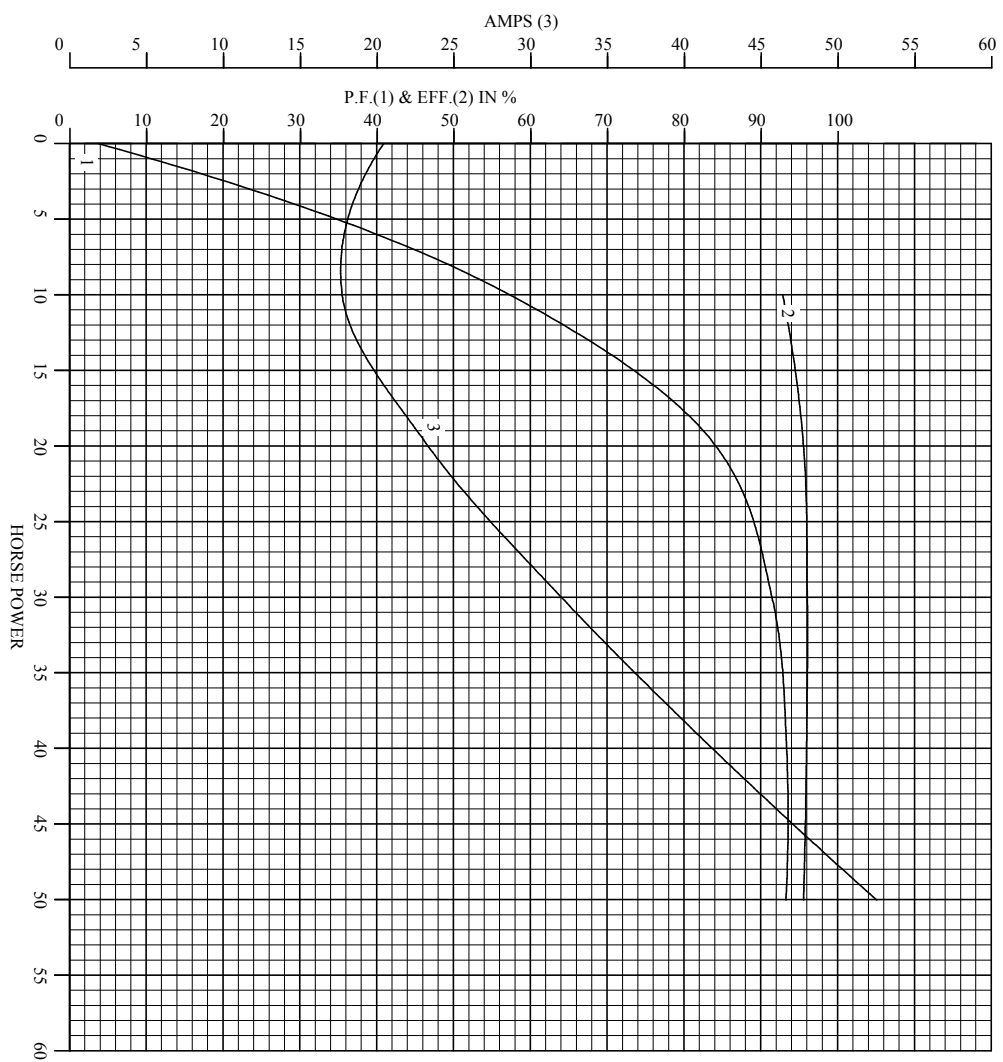
ISSUE DATE

05/25/2016

LS7020A

S. O.	--	HERTZ	60	AMB°C	40	CODE LETTER	G
FRAME	HL324T	RPM	1800	INSUL	H	WR ² (lb-ft ²)	2.96
HP	40	VOLTS	460	S.F.	1.15	NEMA DESIGN	B
TYPE	PSM	AMPS	41.8	ENCL	TEFC	STATOR RES. @ 25°C	.2444
PHASE	3	DUTY	CONT			OHMS (BETWEEN LINES)	

Performance Data vs. HP
At Synchronous Speed

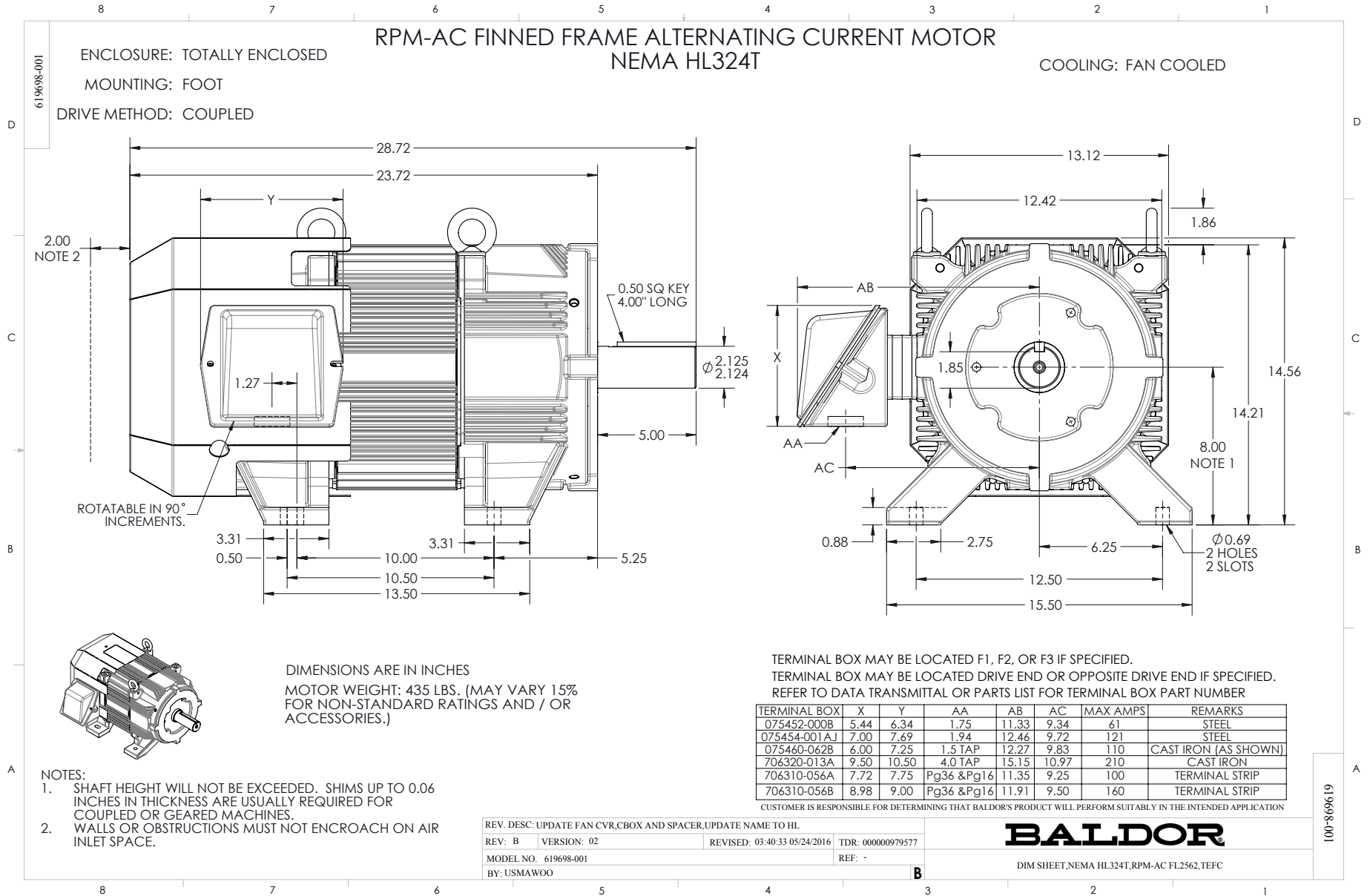


TYPICAL DATA

BALDOR
A MEMBER OF THE ABB GROUP

DR. BY	CAD	
CR. BY	RHM	
APP. BY	RHM	
DATE	05/25/2016	

ISPM MOTOR PERFORMANCE CURVES ISSUE DATE L57020A 05/25/2016

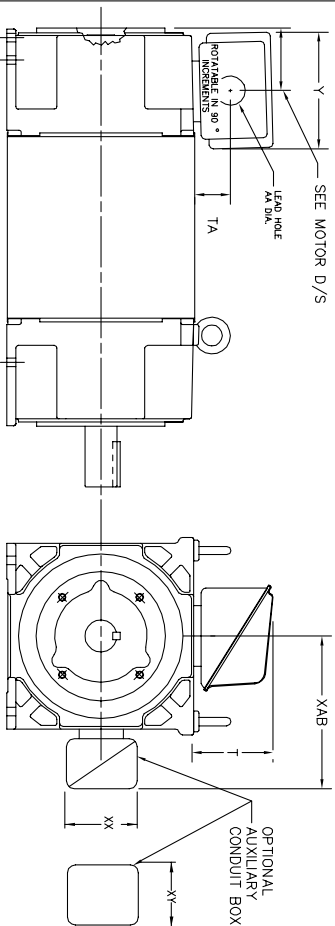


616779-050

INDUSTRIAL ALTERNATING CURRENT MOTORS

RPM AC

STEEL, CAST IRON, MILL AND TERMINAL BOARD CONDUIT BOX DIMENSIONS
 NEMA FRAMES FL210 thru FL280 and IEC FRAMES RDL132 thru RDL180
 NEMA FRAMES FL180 thru FL280 and IEC FRAMES FDL112 thru FDL180



FRAME	TYPE	TERMINAL STRIP	AMPS	C/BOX	Y	TA	T	AA
FL180	STEEL	N	40	706320003A	5.00	1.62	3.00	1.12
FL180	STEEL	Y/N	7/5	706320005A	6.12	2.38	4.38	1.75/2.00
FL180	STEEL	N	208	706320007A	7.62	2.00	7.00	2.50/3.00
FL180 & FDL11	CAST IRON	Y/N	60	706320004C	5.75	2.38	4.38	1.0 TAP
FL180 & FDL11	MILL	Y	100	706310056A	7.75	2.30	4.40	PG29/PG16

FL210 & RL210	STEEL	N	61	0754520008	6.34	2.00	4.12	1.75
FL210 & RL210	STEEL	N	121	075454001AJ	7.69	2.38	5.25	1.94
FL210 & RL210	STEEL	N	305	706320016A	9.00	4.12	8.44	4.59
FL210 & RL210	CAST IRON	N	110	0754600628	7.25	2.50	5.25	1.5 TAP
FL210 & RL210	MILL	Y	100	706310225R	7.75	2.30	4.40	PG29/PG16
FL210 & RL210	MILL	Y	160	706310226R	9.00	3.06	5.40	PG36/PG16
FL210 & RL210	MILL	Y	160	706310056B	9.00	3.06	5.40	PG36/PG16
FL210 & RL210	MILL	Y	400	706310063B	14.39	7.43	12.15	BLANK

FL250 & RL250	STEEL	N	61	0754520008	6.34	2.00	4.12	1.75
FL250 & RL250	STEEL	N	121	075454001AJ	7.69	2.38	5.25	1.94
FL250 & RL250	STEEL	N	305	706320016A	9.00	4.12	8.44	4.59
FL250 & RL250	CAST IRON	N	110	0754600628	7.25	2.50	5.25	1.5 TAP
FL250 & RL250	CAST IRON	N	210	706320013A	10.50	4.88	9.00	4.0 TAP
FL250 & RL250	MILL	Y	100	706310056A	7.75	2.30	4.40	PG29/PG16
FL250 & RL250	MILL	Y	160	706310226R	9.00	3.06	5.40	PG36/PG16
FL250 & RL250	MILL	Y	160	706310056B	9.00	3.06	5.40	PG36/PG16
FL250 & RL250	MILL	Y	400	706310063B	14.39	7.43	12.15	BLANK

FL280 & RL280	STEEL	N	160	706320009A	7.25	3.50	7.06	2.50
FL280 & RL280	STEEL	N	305	706320016A	9.00	4.12	8.44	4.59
FL280 & RL280	STEEL	N	500	702658001C	14.62	7.56	12.70	5.00
FL280 & RL280	CAST IRON	N	140	706320012B	9.25	4.81	8.56	3.0 TAP
FL280 & RL280	CAST IRON	N	210	706320013A	10.50	4.88	9.00	4.0 TAP
FL280 & RL280	CAST IRON	N	510	706320014D	15.00	7.56	12.81	5.0 TAP
FL280 & RL280	MILL	Y	100	706310056A	7.75	2.30	4.40	PG29/PG16
FL280 & RL280	MILL	Y	160	706310056B	9.00	3.06	5.40	PG36/PG16
FL280 & RL280	MILL	Y	160	706310056B	9.00	3.06	5.40	PG36/PG16
FL280 & RL280	MILL	Y	400	706310063B	14.39	7.43	12.15	BLANK

FRAME SIZE	XAB	OPTIONAL AUXILIARY CONDUIT BOX DIMENSIONS (MAXIMUM)			
		XX	XY	PART NUMBER	
FL180/TL180/RL180	7.38	4.25	4.25	603C07-26-A	
FL210/TL210/RL210	8.44	4.25	4.25	603C07-26-A	
FL250/TL250/RL250	9.12	4.25	4.25	603C07-26-A	
FL280/TL280/RL280	10.88	8.00	8.00	706310-3-B	
FL280/TL280/RL280	11.88	8.00	8.00	706310-3-B	
FL280/TL280/RL280	12.62	8.00	8.00	706310-3-B	

- (1) TAP CONDUIT
- (2) TAP PIPE TAP
- (3) CUSTOMER TO PROVIDE HOLE FOR CONDUIT.
- (4) 2" DN -5A or 1" TAP DN -4C

TERMINAL BOX CAN BE KEPT FOR LEAD OUTLET AT TOP SIDES OR BOTTOM SIDES AT LEAD OUTLET. LEAD OUTLET SIDES SPECIFIED IN DRAWING WHEN SPECIFIED.

050-667919

CUSTOMER IS RESPONSIBLE FOR DETERMINING THAT BALDOR'S PRODUCT WILL PERFORM SUITABLY IN THE INTENDED APPLICATION.

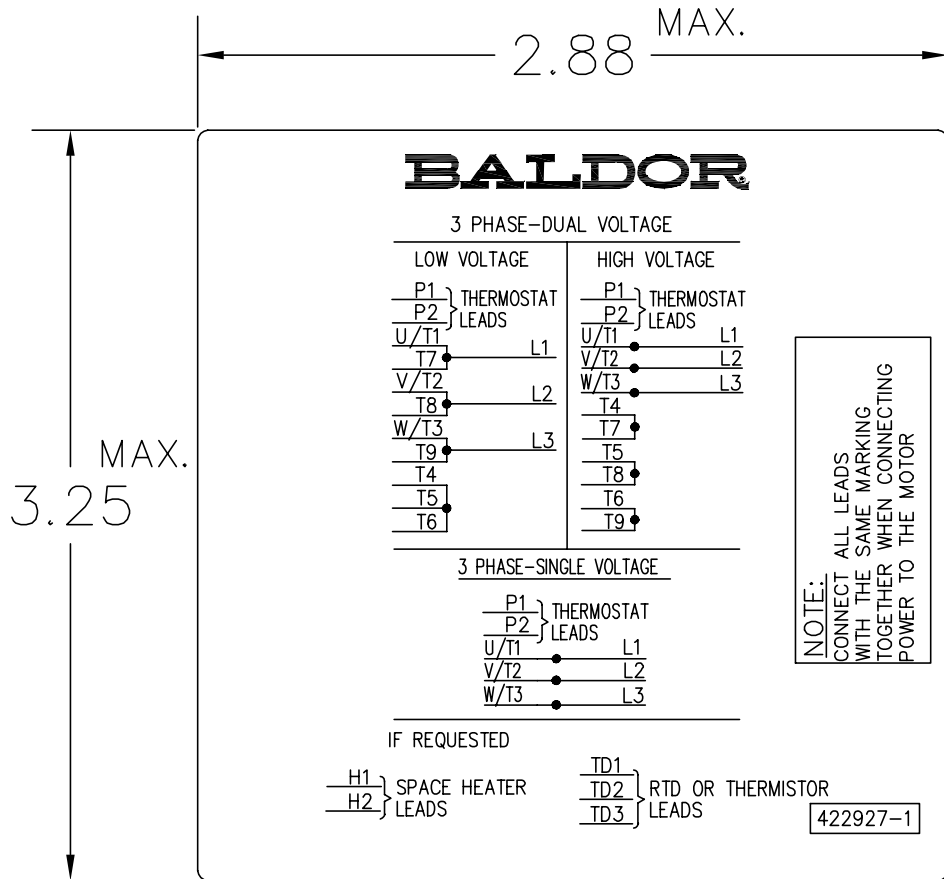
REV. DESC: ADD C/BOX 706310-225 & -226R	VERSION: 05	TDR: 000001093792
REV. LTR: E	REVISED: 07: 27: 52 12/18/2018	BY: RGGWT
FILE: \RGG\00003\692		
MTL: 1		

BALDOR - RELIANCE®

DIM SHT NEMA RL210-RL280 FL180-FL280 IEC RDL132-RDL180

SH 1 of 1

422927-001



NOTE:
DATA TO BE SIZED
SO THAT IT FITS INTO
MATERIAL DECAL
DIMENSIONS. MAKE
LETTERS & NUMBERS
AS LARGE AS POSSIBLE.

MATERIAL: CERAMATIC DGF-P4
PERMA GRIP ADHESIVE

ALL LETTERS, NUMBERS
AND LINES TO BE BLACK
ON WHITE BACKGROUND.

422927-001

REV. DESC: CHANGE BACKGROUND COLOR FROM GOLD TO WHITE		
REV. LTR: B	VERSION: 02	TDR: 000000788708
FILE: \RGG\00000\203	REVISED: 08:09:29 03/04/2013	
MTL: -	BY: RGGWT	

BALDOR

EXTERNAL CONNECTION LABEL

SH 1 of 1

Marketing maintained PDF of MN442:

<http://www.baldor.com/mvc/DownloadCenter/Files/mn442>